

# ESE SERIES

Made in  
U.S.A.

## Optical Incremental Shaft Position Encoder

### FEATURES

- Quadrature Output
- High Noise Immunity
- Short Circuit Protection
- Reverse Polarity Protection
- Input Voltage Range 12-28 VDC
- Sealed Connector
- Gold Plated Connector Contacts
- Double Ended 3/8" S/S Shaft
- Infrared LED and SMD Circuitry
- Heavy Duty Chrome Steel Bearings
- Low Power Consumption

### APPLICATIONS

- Speed Controls
- Robotics
- Machine Tools
- Cut to Length
- Position Control
- Index Tables



### SPECIFICATIONS

#### Input

Voltage: 12-28 VDC

Current: 35 ma. @ 15 VDC typical

#### Output

Squarewave 50/50 duty cycle

0 - 10,000 pulses/sec.

\* Please consult factory for details and technical bulletins.

#### Mechanical

Housing: Rugged anodized aluminum.

Shaft Rotation: Either direction

Shaft speed: 6000 RPM max. \*

Bearings: Heavy duty chrome steel

Load: 30 lbs. radial \*

10 lbs. Axial \*

### DESCRIPTION

The ESE Series optical shaft encoder represents a major price - performance breakthrough. It utilizes IRED light sources and precision mechanical components to provide long life and durability. Its quadrature output can be used to derive RPM, feet per minute and angular position. When used with simple controls, material can be cut to length and over and under speed conditions detected. The ESE package with its easy mounting and sealed connector is designed to meet the demands of

industry and its price, the goals of the OEM. Over four decades of engineering and manufacturing experience is embodied in every "ESE". FSI is committed to manufacturing quality products and providing complete customer satisfaction!



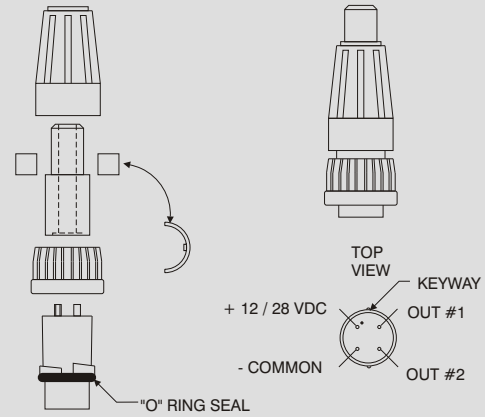
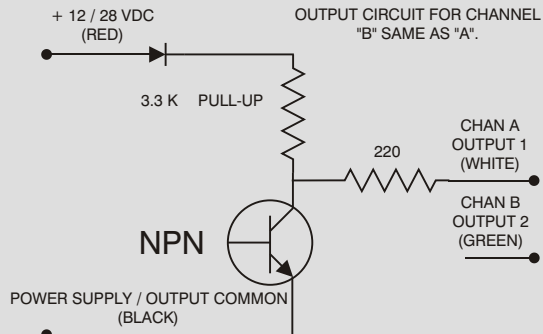
**FSI / Fork Standards, Inc.**

668 Western Ave. • Lombard, IL 60148-2097

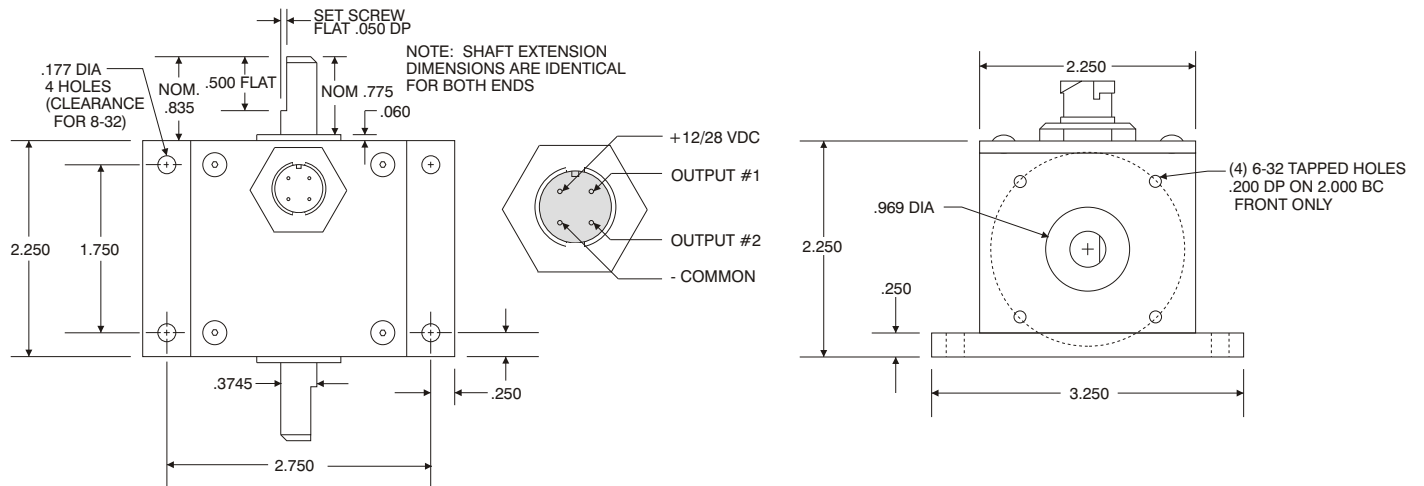
(630) 932-9380 • FAX: (630) 932-0016

www.fsinet.com


## WIRING INFORMATION



## MECHANICAL INFORMATION



## ORDERING INFORMATION

ESE -  **060, 100, 120, 360, 600, (PPR) ONLY**

FSI has a full line of measuring wheels, couplings, and other accessories available.

**OVER 500 DISTRIBUTORS WITHIN NORTH AMERICA TO SERVE YOU**



668 Western Avenue Lombard, IL. 60148-2097  
 ph: 800-468-6009 fax: 630-932-0016 e-mail: fsi@fsinet.com

Solutions that Count

